

CEM20

Channel Expansion Module

dataTaker®

Intelligent Data Logging Products

- Compact size
- Extremely low power
- Cost effective method of adding analog channels to a data logger.
- Each CEM20 multiplexes 20 analog channels into one analog channel on the data logger.

Increased channel capacity

Increasing the channel capacity of the dataTaker DT80 range is made very easy by adding dataTaker Channel Expansion Modules (CEM20). Each CEM20 connects 20 universal data logging channels to the dataTaker data logger. A dataTaker CEM20 connects to one analogue channel of the dataTaker data logger. This effectively expands the total channel capacity of the DT80 to 300 analog inputs and the DT85 to an incredible 800 inputs.

Incorporating the same dual isolation technology as the DT80 range dataTaker data loggers each channel of the CEM20 can be used for two isolated inputs or three common reference inputs so the maximum inputs increases further :-

Maximum Input Capacity

| | Four wire Isolated Input | Two wire Isolated Input | Two wire Common Reference Input |
|------|--------------------------|-------------------------|---------------------------------|
| DT80 | 100 | 200 | 300 |
| DT85 | 300 | 600 | 800 |

Easy set up and connection

Connecting a channel expansion module to a dataTaker data logger is very easy. The CEM20 is powered directly from the dataTaker data logger 12V output. Analog output connections of the CEM20 connect to a analog channel of the data logger. See sample wiring diagram shown.

Solid construction and design

The construction of the CEM20 is similar to the rugged dataTaker DT80 range. The case is made from an anodized aluminium extrusion with powder coated steel end plates. Removable screw terminals provide flexible options for installation and maintenance.

Compatibility

The dataTaker CEM20 is compatible with the following dataTaker data loggers :-
dataTaker DT80 Series 2
dataTaker DT80G Series 2
dataTaker DT85 Series 2
dataTaker DT85G Series 2



Applications

Building & Construction Industry

Concrete cure monitoring
Building services

Geotechnical

Dam monitoring
Land Slip
Mining
Tunnels

Scientific & Research

Thermal Profiling
Thermistor arrays
Static load testing

General Industry

Thermal Profiling
Oven calibration
Refrigeration monitoring
Process monitoring

Specifications

FREE
Software &
Technical
Support

Australasia

DataTaker Pty Ltd
7 Seismic Court
Rowville Melbourne
Victoria 3178
Tel: +61 3 9764 8600
Fax: +61 3 9764 8997
Email: sales@datataker.com.au

China

DataTaker China Limited
Room 1635,
Haidian New Technology Building,
No. 65 West Road North 4th Ring Road,
Haidian District, Beijing P.R.C.:100080
Tel: 86-10-8288 6646
Fax: 86-10-8288 6649
Email: info@datataker.cn.com

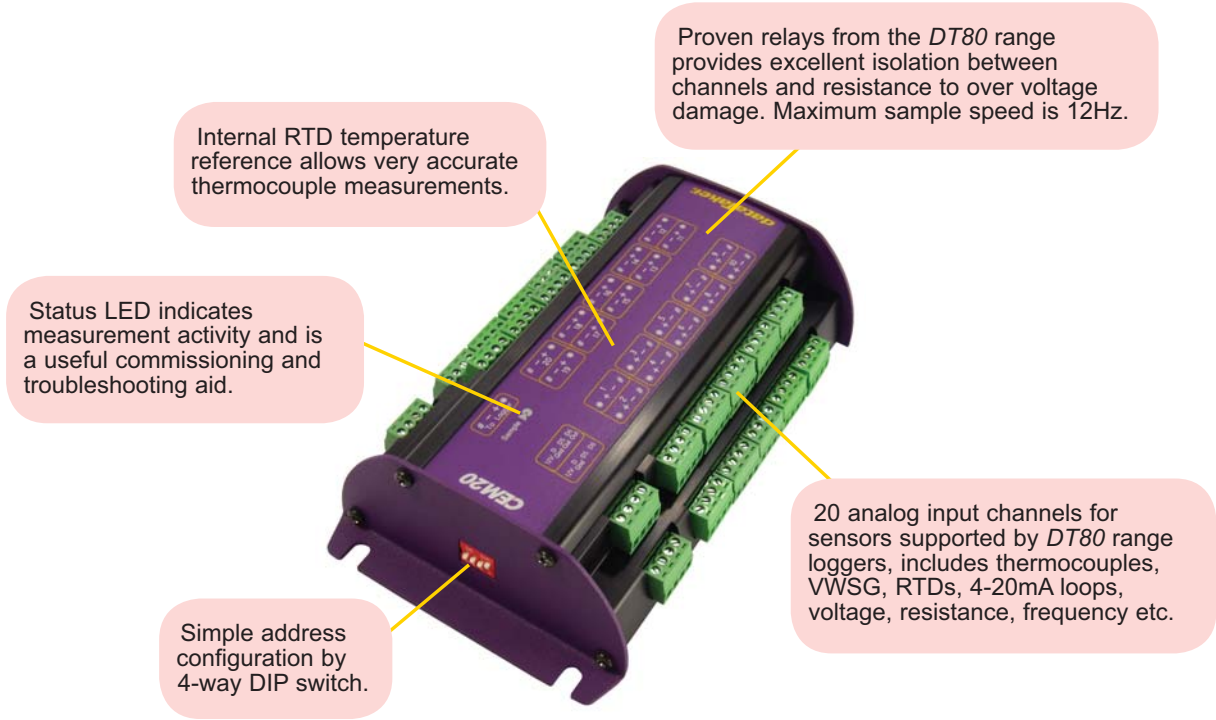
Europe

Grant Instruments (Cambridge) Ltd
Shepreth
Cambridgeshire
SG8 6GB
Tel: +44 (0) 1763 264780
Fax: +44 (0) 1763 262410
Email: sales@datataker.co.uk

Americas

Computer Aided Solutions
8588 Mayfield Rd, Suite One
Chesterland, OH 44026
Tel: +1 800 9 LOGGER
Tel: +1 440 729 2570
Fax: +1 440 729 2586
Email: sales@computeraidedsolutions.com

www.datataker.com



Connections to Logger

Digital control connections: 5D & 6D in/out terminals
 Power Connections: 12V & DGND twin terminals
 Analog Connections: *, +, -, #
 Each CEM20 attached to a logger uses a separate 4 wire analog channel on the logger.
 Max distance for digital control signals: 500mm
 Max number of CEM20 units per data logger:
 DT80 & DT80G (Series 2 only): 5
 DT85 & DT85G (Series 2 only): 15

Multiplexer

Type: Relay multiplexer
 Maximum Input Voltage: 30Vdc
 Maximum Sampling Speed: 12Hz

System

Status LED: Sample activity
 Address Selection: 4-way DIP switch. Address 1-15

Power Supply

Recommended: Logger's switched 12V output
 Alternative: External regulated 12Vdc ± 5%

Power Consumption

Sampling: 0.36W (12V 30mA)
 Idle: CEM20 is automatically turned off when not sampling.

Physical and Environment

Construction: Powder coated steel and anodized aluminium
 Dimensions: 180 x 100 x 50mm
 Weight: 0.55kg
 Temperature Range: -45°C to 70°C
 Humidity: 85% RH, non-condensing

Assessories Included

Analog and control cables for connection to the dataTaker data logger.

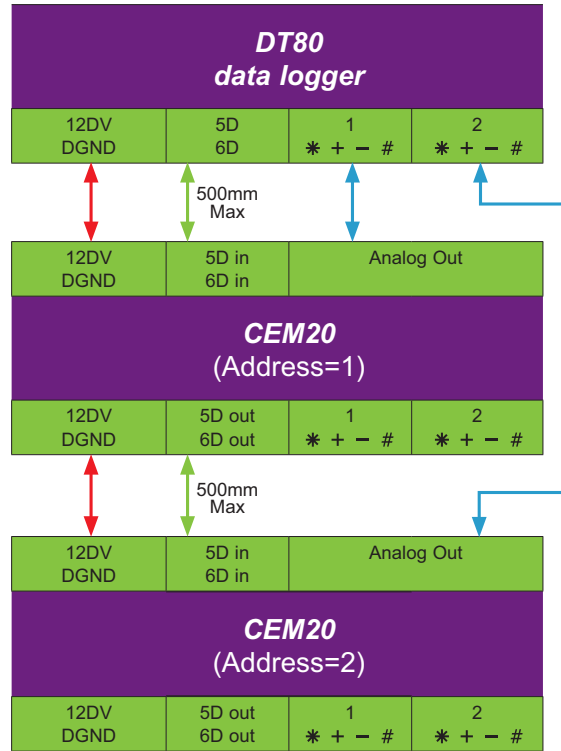


Diagram shows functional connections for DT80 data logger and two CEM20 units.

For full technical specifications download the user's manual from our website.

www.datataker.com



Warranty: The dataTaker CEM20 is covered by a 3 year warranty on workmanship and parts. For further information on the dataTaker range, or for useful downloads, visit the Datataker web site at www.datataker.com or contact your nearest Datataker office or distributor.
Quality Statement: Datataker operates a Quality Management System complying with ISO9001:2000. It is Datataker's policy to supply customers with products which are fit for their intended purpose, safe in use, perform reliably to published specification and are backed by a fast and efficient customer support service.
Trademarks: dataTaker is a registered trademark of Datataker Pty Ltd.
Specifications: Datataker Pty Ltd reserves the right to change product specifications at any time without notice.
Designed and Manufactured in Australia.

Your local distributor _____

dataTaker®