



## AC Current Transducer CT-153

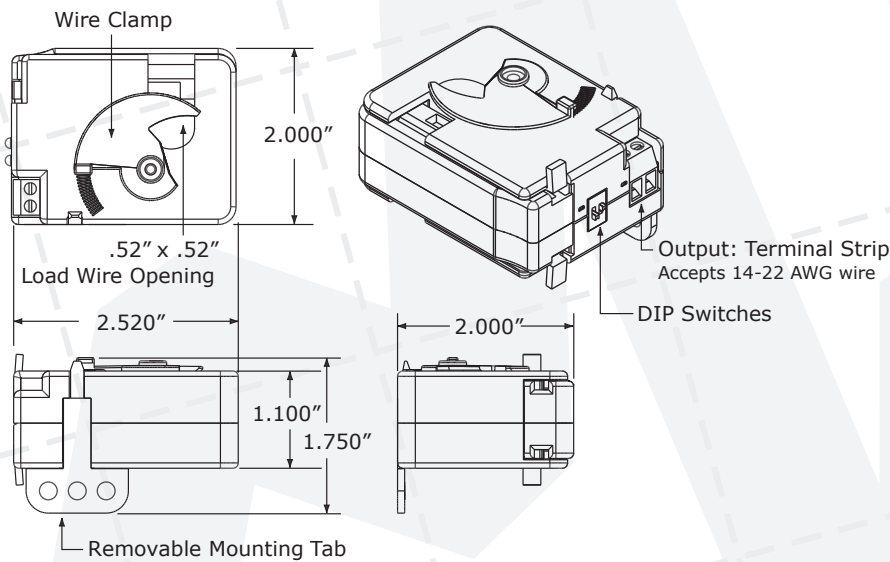
### Enclosed Split Core Multi-Range Transducer with 0-5Vdc Terminal Output

#### GENERAL DESCRIPTION

The CT-153 probe is the latest in compact AC Current probes. Designed to meet the most stringent demands in industry and electrical contracting, while also meeting the latest safety and performance standards.

#### SPECIFICATIONS

<b>Sensor Range:</b>	0 to 10 Amp, 25 Amp & 50 Amp
<b>Sensor Type:</b>	Split core with voltage output
<b>Operating Temperature:</b>	-30 to 140° F
<b>Humidity Range:</b>	5-95% (noncondensing)
<b>Accuracy:</b>	96.8% Full Scale
<b>Max Sense Voltage:</b>	600 Vac
<b>Mounting/Installation:</b>	Removable mounting tab provided. The wire clamp locks against the load wire, securing the unit in place.
<b>Output:</b>	12" double insulated cable with non-insulated ferrules



ON		DIP Switches		5V Range
1	2	1	2	
OFF	OFF	OFF	OFF	0-10 Amp
OFF	ON	OFF	ON	0-25 Amp
ON	OFF	ON	OFF	0-50 Amp

#### ORDERING INFORMATION

**Item:**  
AC Current Transducer CT-153 (0-10A, 25A & 50A)

**Cat#:**  
35-0047